

# CF 48/-R

# True Simplicity



**CF 48**  
Ventilated



**CF 48-R**  
Refrigerated

## QUICK FACTS



4 x 400 ml  
76 tubes



4500 rpm



3820 xg

## Classic centrifuges

The CF 48 series low speed **4 x 400 ml** centrifuges offer an excellent capacity/space ratio and enhanced ergonomics: motorized lid opening, 10 program memories for direct access, AWELight illuminated handle to indicate end of run...



- Compact design
- Operational immediately
- Ease of use
- End of run indication



## French design and manufacturing

The development program has resulted AWEL centrifuges including the filing of 4 patents in 2009.

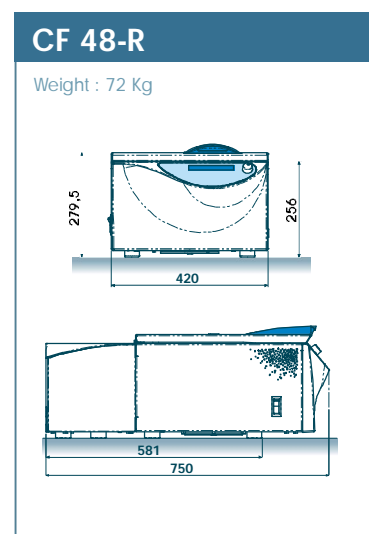
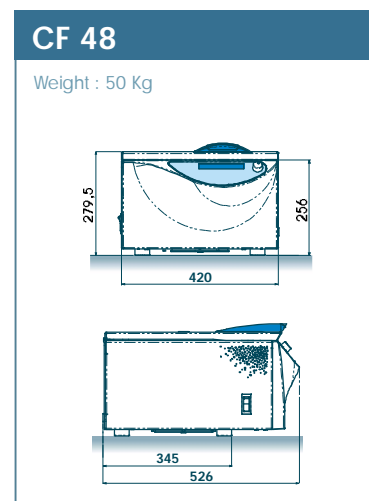


AWEL, a new French brand of centrifuge, is positioned today as the alternative for your laboratories in research, clinical and transfusion applications. Their design, targeted towards ergonomics, is a reference in safety and convenience. The technical innovations optimize productivity in your laboratory work.

## [ Machine specifications ]

Specifications	CF 48	CF 48-R
Max. speed Swing-out rotor Angle rotor	4500 rpm 4400 rpm	4500 rpm 4400 rpm
Max. RCF Swing-out rotor Angle rotor	3820 xg 3030 xg	3820 xg 3030 xg
Max. capacity Swing-out rotor Angle rotor	4 x 400 ml 32 x 15 ml	4 x 400 ml 32 x 15 ml
Control system	microprocessor	microprocessor
Speed range	500 to 4500 rpm	500 to 4500 rpm
Speed precision	20 rpm	20 rpm
Temperature Range	-	-20 to +60°C
Timer	0 - 99h50 and continuous	0 - 99h50 and continuous
Acceleration / Braking Rates	10 / 10	10 / 10
Programs	10	10
Lid Opening	motorized	motorized
Motor type	induction	induction
Certification	EC marked : IEC 1010-1 ; IEC 1010-2-020 Directives	
Dimensions (HxWxD)	280 x 420 x 520 mm	280 x 420 x 750 mm
Crating (HxWxD)	460 x 610 x 650 mm	460 x 610 x 890 mm
Weight (Net/Crated)	50 / 56 kg	70 / 79 kg
230 V - 50 Hz version	20012001	20013001

## [ Dimensions ]



## [ Accessories ]

Ref.	Accessories
30022016	SL-400 Swing-out rotor   4 x 400 ml
30002024	N-400 S buckets for SO-400 swing-out rotor
30002025	BL-400 S lids for N-400 buckets - Set of 4
30002012	Inserts for 13 x 1.5/2 ml microtubes - Set of 4
30002005	Inserts for 14 x 5-7 ml collection tubes - Set of 4
30002009	Inserts for 15 x 5-7 ml BD collection tubes - Set of 4
30002010	Inserts for 19 x 5-7 ml Terumo collection tubes - Set of 4
30002006	Inserts for 12 x 10 ml collection tubes - Set of 4
30002007	Inserts for 7 x 15 ml conical tubes - Set of 4
30002023	Inserts for 5 x 20 ml tubes - Set of 4
30002011	Inserts for 8 x conical tubes dia. 22 mm - Set of 4
30002014	Inserts for 4 x 50 ml conical tube - Set of 4
30002026	Inserts for 1 x 100 ml tube dia. 52 mm - Set of 4

Ref.	Accessories
30002016	Inserts for 1 x 250 ml tube - Set of 4
30002015	Inserts for 1 x 400 ml tube - Set of 4
30022003	AMF 48-32.15 Angle rotor   32 x 15 ml
30022002	SL48-MTP Swing-out rotor for microtitration buckets
30000026	2 Microtitration buckets - capacity 2 x 3 microplates



ref. 30002007



ref. 30002009



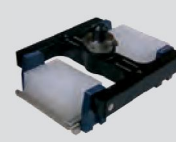
ref. 30002014



ref. 30002016



ref. 30002018



ref. 30022002



YOUR AWEL PARTNER